

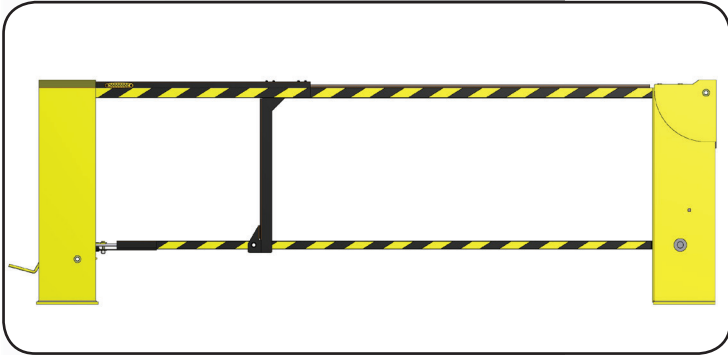
Dock Impact Barrier-LC™

SPECIFICATION

The new APS Dock Impact Barrier-LC can reduce the occurrence of accidents due to fork lift, pallet jack or pedestrians falling off the dock when the door is open. The Dock Impact Barrier-LC reduces damage to equipment, door panels and door track when door is closed while still meeting limited overhead clearance requirements without impairing performance.

Design Highlights

- High visibility yellow with powder coated columns and safety striping on the rails
- Stops a 10,000 lb gross load at 4 mph
- Easy manual operation; no electrical requirement
- Protects overhead doors & tracks
- 42" top rail meets OSHA standard for withstanding 200 lbs. of force from any direction
- Three sizes to fit:
 - 8' Door, Est. weight 310 lbs
 - 9' Door, Est. weight 325 lbs
 - 10' Door, Est. weight 340 lbs
- APS Resource warrants this product will be free from defects and workmanship under normal use for (1) year



Project Information

Job Name _____

Address _____

General Contractor _____

Distributor _____

Model _____

Quantity _____

Certified For Construction

By _____

Company _____

Date _____

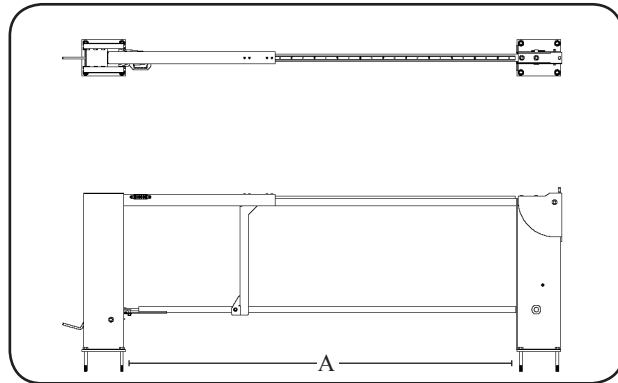


Dock Impact Barrier-LC™

SPECIFICATION

Construction Features

- 9/16" diameter heavy-duty steel industrial cable encased in steel rail withstands impacts up to 10,000 lb gross load
- Safety latch mechanism securely locks rail in place
- Heavy-duty side members provide added protection
- (8) 3/4" x 6" anchors included



"A" is equal to the length of the barrier (i.e.: 8', 9' or 10')

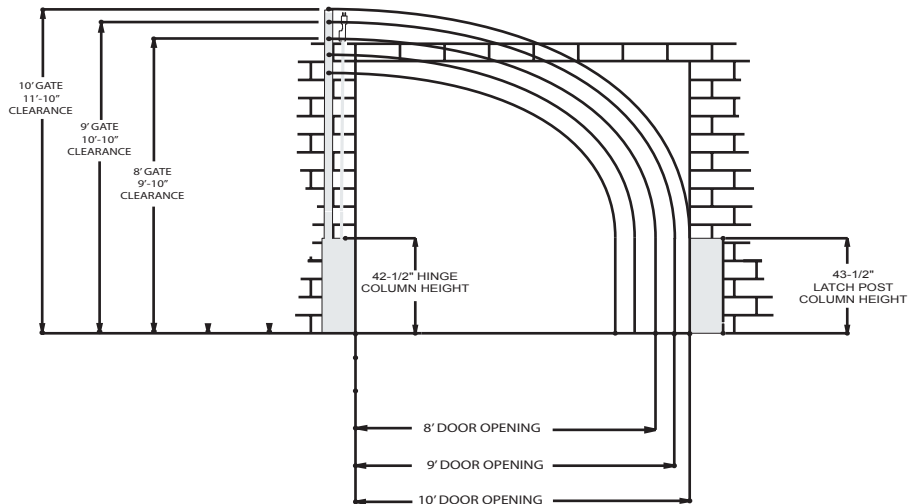


FIGURE 1 - GATE CLEARANCE REQUIREMENTS

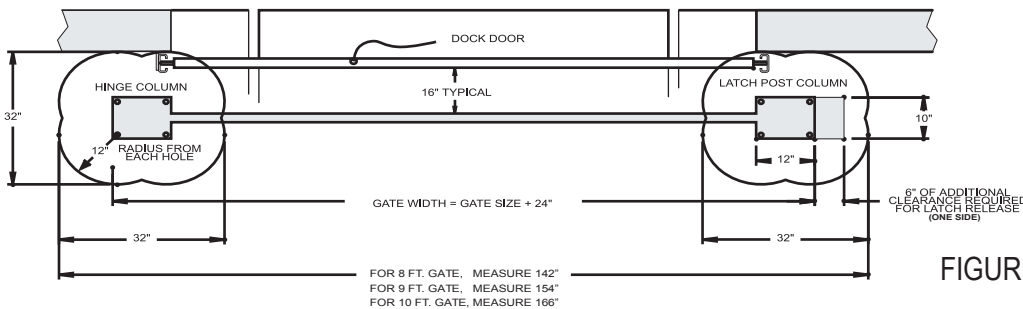


FIGURE 2 - OVERHEAD VIEW