

Edge Sealr™ & Door Sprag™

ENERGY SAVING PRODUCTS SPECIFICATION

The Edge Sealr™ effectively seals off the bottom of your dock door, saving energy and money. Easily installed, Edge Sealr™ comes in two models to accommodate most door styles. Edge Sealr™ is constructed of durable 22 oz. vinyl and is available with or without side flaps. Combine the Edge Sealr™ with the Door Sprag™ for an extra tight seal between the pit wall, the dock leveler and the overhead door.

Design Highlights

- Standard lengths up to 12' on Edge Sealr™. Custom lengths available
- Door Sprag™ fills the gap between the dock leveler and the pit wall
- APS Resource warrants these products will be free from defects in material and workmanship under normal use for (1) year



Edge Sealr™



Door Sprag™

Project Information

Job Name _____

Address _____

General Contractor _____

Distributor _____

Model _____

Quantity _____

Certified For Construction

By _____

Company _____

Address _____

Date _____

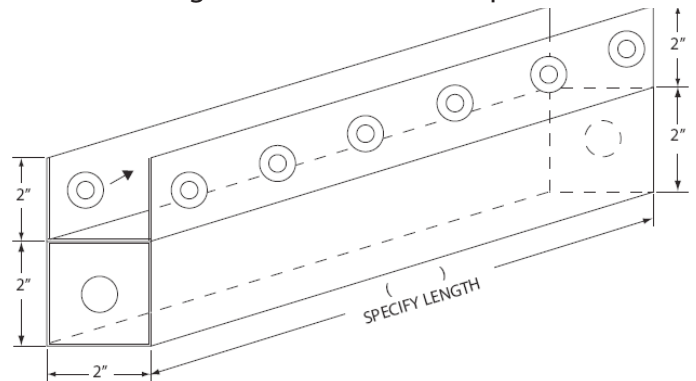


Edge Seal™ & Door Sprag™

ENERGY SAVING PRODUCTS SPECIFICATION

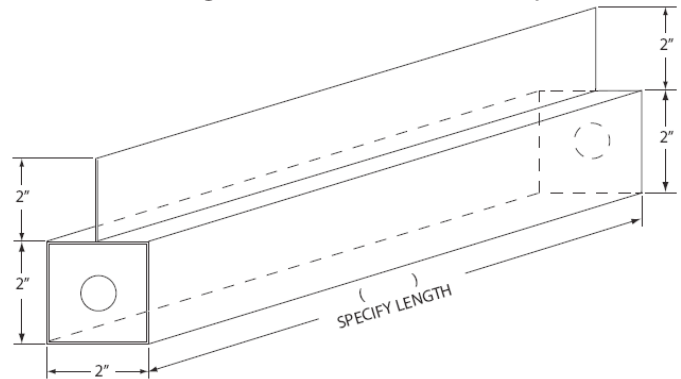
| Door Edge Seal™ (side flap) | |
|--|--------------------|
| Description | Est. Weight |
| Lengths up to 10 ft. | 3 lbs. |
| Lengths 10 to 12 ft. | 5 lbs. |
| Lengths 12 to 14 ft. | 6 lbs. |
| Lengths 14 to 16 ft. | 8 lbs. |
| Other sizes available ; contact APS Resource | |
| Vinyl standard, Hypalon optional | |

Edge Seal™ with Side Flaps



| Door Edge Seal™ (center flap) | |
|--|--------------------|
| Description | Est. Weight |
| Lengths up to 10 ft. | 3 lbs. |
| Lengths 10 to 12 ft. | 5 lbs. |
| Other sizes available ; contact APS Resource | |
| Vinyl standard, Hypalon optional | |

Edge Seal™ with Center Flap



| Door Sprag™ | |
|--------------------------|--------------------|
| Description | Est. Weight |
| Triangular Seal, Hypalon | 0.5 lbs. |

Door Sprag™

