

Sentry-Rail™

PROTECTIVE RAIL SYSTEM SPECIFICATION



SENTRY RAIL offers premium protection for your facility, equipment and personnel. The heavy duty design is easy to setup and install.

Design Highlights

- Heavy duty welded steel construction
- Powder coated safety yellow for high visibility and lasting durability
- Withstands a 10,000 lb load at 4 mph
- Available in Double-Rail (42" high) or Single-Rail (18" high)
- Posts are 4" square high strength steel with a 5/8" thick baseplate
- Rails are 11 gauge high strength steel
- All necessary mounting hardware and 1/2" X 5" anchors included
- Post caps and hole plugs included for visual appeal
- Special cut lengths of rail available
- Optional Swing Gate, Lift-Out Rail, and Offset Posts available
- Installation instructions provided, use instruction #AP7284
- 1 Year Limited Warranty

P/N	ACTUAL RAIL LENGTH	COLUMN C-O-C	DESCRIPTION
SR3	2'8"	3'	RAIL, 3 ft. Section
SR4	3'8"	4'	RAIL, 4 ft. Section
SR5	4'8"	5'	RAIL, 5 ft. Section
SR6	5'8"	6'	RAIL, 6 ft. Section
SR7	6'8"	7'	RAIL, 7 ft. Section
SR8	7'8"	8'	RAIL, 8 ft. Section
SR9	8'8"	9'	RAIL, 9 ft. Section
SR10	9'8"	10'	RAIL, 10 ft. Section

P/N	DESCRIPTION
SC1	POST, 18" Single-Rail
SC2	POST, 42" Double-Rail

Project Information

Job Name _____

Address _____

General Contractor _____

Distributor _____

Model _____

Quantity _____

Certified For Construction

By _____

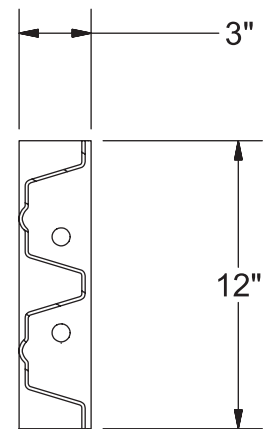
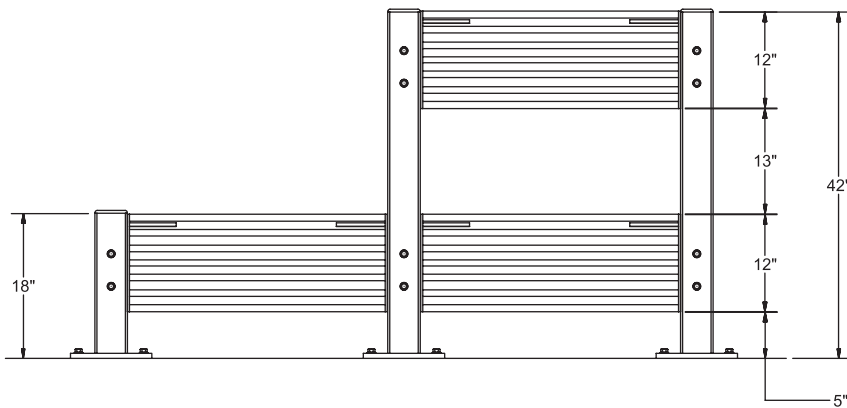
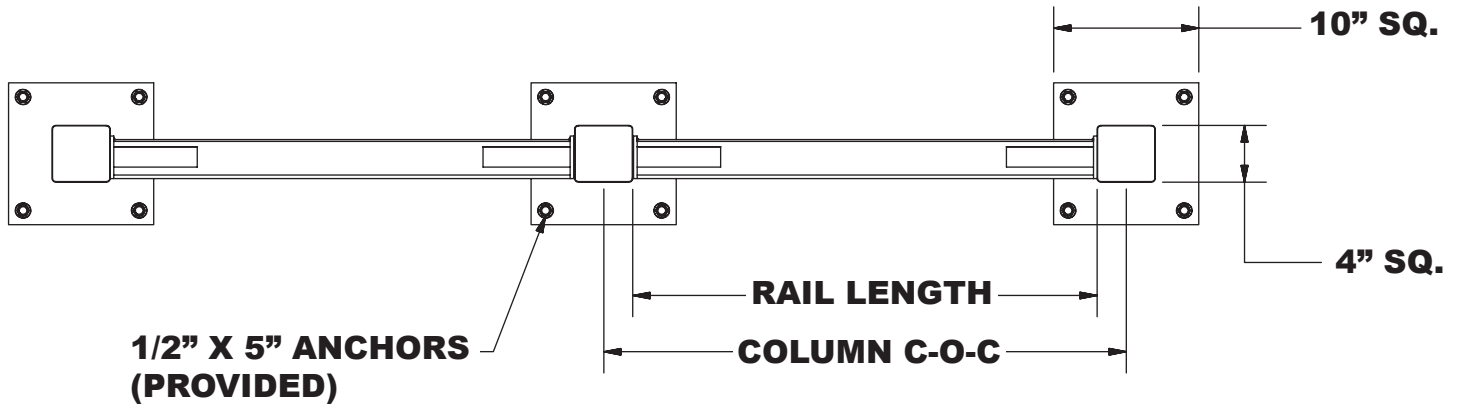
Company _____

Date _____

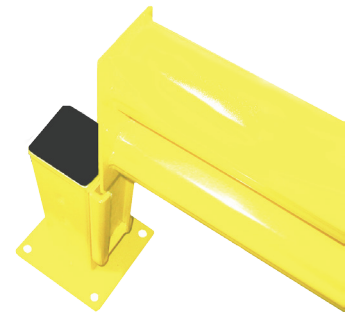


Sentry-Rail™

PROTECTIVE RAIL SYSTEM SPECIFICATION



Pedestrian Swing Gate (optional)



Lift-Out Rail (optional)