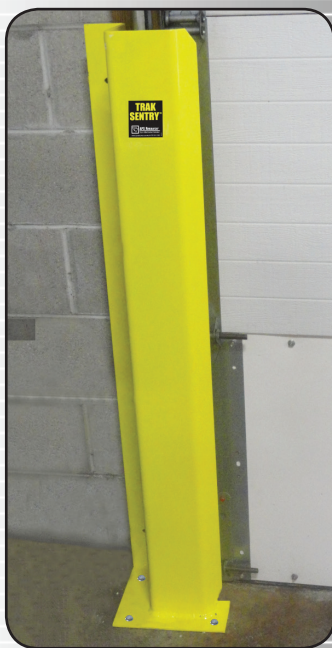


# Trak-Sentry™

## DOOR TRACK PROTECTION SPECIFICATION



TRAK-SENTRY offers maximum protection for your overhead door tracks against costly repairs. TRAK-SENTRY wraps a layer of steel around the door track and anchors securely to the floor and adjacent wall. The low profile design protects the door track without interference to the door operation.

### Design Highlights

- Heavy-duty welded steel construction
- Powder coated safety yellow for high visibility and lasting durability
- Baseplate is 1/4" thick, 3/8" x 4" anchors provided
- Upright mounting holes for 1/2" hardware (hardware not included)
- Sold in pairs; right-hand and left-hand specific mounting
- Available in 3/16" (Standard Duty) or 1/4" (Heavy Duty) thick steel
- Available in various heights
- Custom sizes available, use survey #AP7173
- Installation instructions provided, use instruction #AP7281
- 1 Year Limited Warranty

### Project Information

Job Name \_\_\_\_\_

Address \_\_\_\_\_

General Contractor \_\_\_\_\_

Distributor \_\_\_\_\_

Model \_\_\_\_\_

Quantity \_\_\_\_\_

### Certified For Construction

By \_\_\_\_\_

Company \_\_\_\_\_

Date \_\_\_\_\_

Standard Duty		Heavy Duty	
P/N	Height	P/N	Height
TS24SD*	24"	TS24HD	24"
TS30SD	30"	TS30HD	30"
TS36SD	36"	TS36HD	36"
TS42SD	42"	TS42HD	42"
TS48SD*	48"	TS48HD	48"

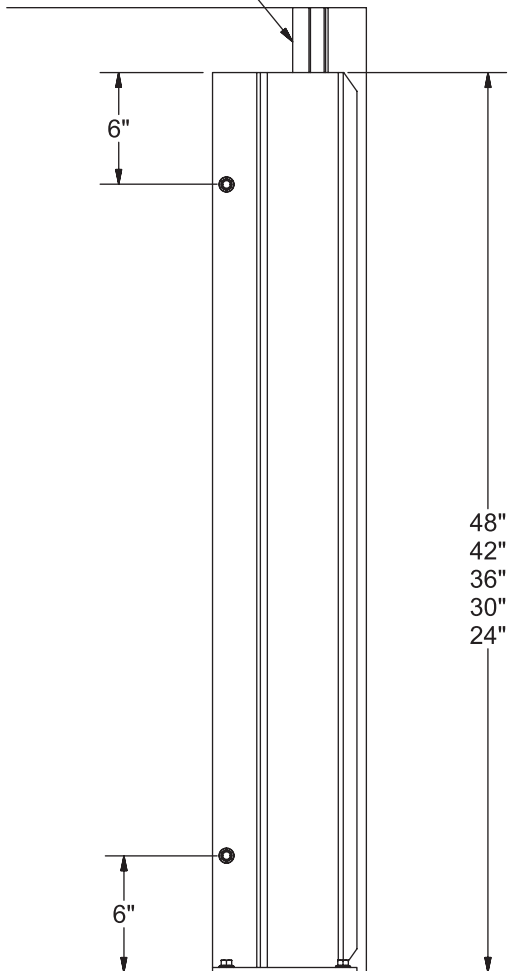
\*Stock Size



# Trak-Sentry™

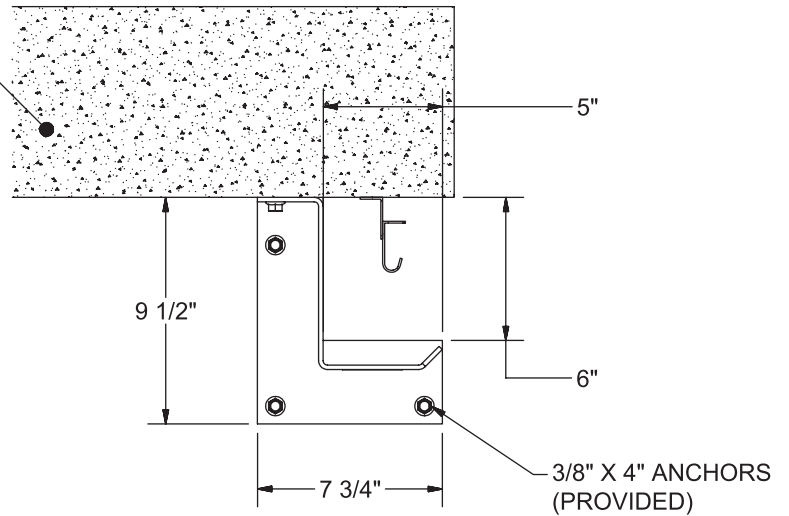
## DOOR TRACK PROTECTION SPECIFICATION

DOOR TRACK



**FRONT VIEW**

WALL



**PLAN VIEW**

