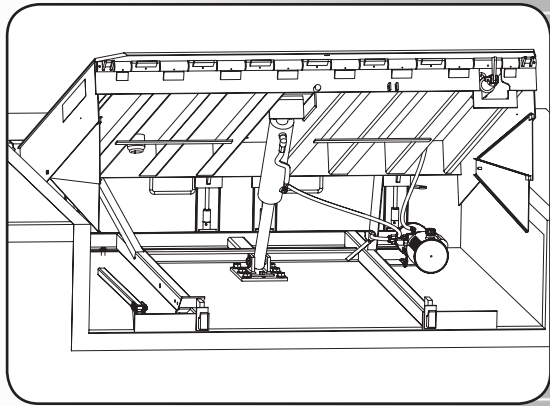


HTC Kit™

Hydraulic Technology Conversion Kit Specification

Hydraulic Technology Conversion Kits from APS Resource upgrade an existing dock leveler to fully hydraulic activation. Each kit contains all necessary components for a complete conversion to an easy-to-use, low maintenance design.



HTC Conversion Kit



Design Highlights

- 1 HP motor/pump assembly
- Hydraulic main cylinder and lip cylinder comes with all necessary hoses, fittings and brackets
- Easy to use, constant pressure push-button control
- Velocity fuse emergency safety system
- Full range telescoping toe guards (purchased separately; required if no toe guards are already in place)
- Secondary OSHA yellow maintenance strut
- Single Phase: 120V or 230V, Three Phase: 230V or 480V
- APS Resource warrants this product will be free from defects in material and workmanship under normal use for (1) year

Project Information

Job Name _____
Address _____
General Contractor _____
Distributor _____
Model _____
Quantity _____

Certified For Construction

By _____
Company _____
Address _____
Date _____