

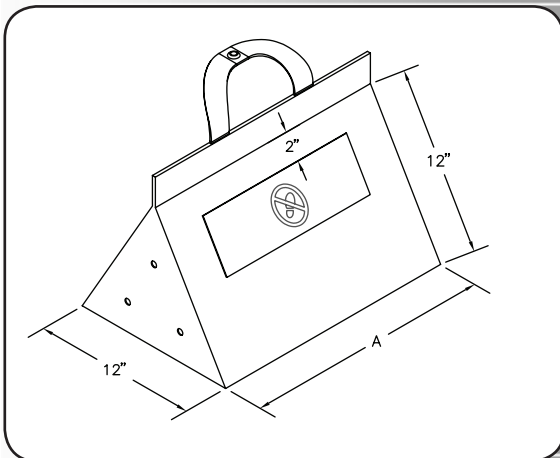
# Dock Stufr<sup>®</sup>

## SPECIFICATION

The Dock Stufr<sup>®</sup> easily and inexpensively eliminates dock gaps. Simply toss the Dock Stufr into place during the loading process. Its flexible and compact size fills in gaps yet does not interfere with loading.

### Design Highlights

- Constructed from heavy-duty coated fabric for durability and long life
- Bright orange “NO STEP” safety labels provide clear warning to dock workers
- Includes strap for portability and attachment grommet
- Available in 18” and 30” as standard
- APS Resource warrants this product will be free from defects in material and workmanship under normal use for (1) year



### Project Information

Job Name \_\_\_\_\_

Address \_\_\_\_\_

General Contractor \_\_\_\_\_

Distributor \_\_\_\_\_

Model \_\_\_\_\_

Quantity \_\_\_\_\_

### Certified For Construction

By \_\_\_\_\_

Company \_\_\_\_\_

Address \_\_\_\_\_

Date \_\_\_\_\_

