

Dock Stufr



Figure 1: 30" standard size

The Dock Stufr effectively eliminates gaps between lip and bumper. For best results, place the Dock Stufr into exposed gaps during the loading process. Built with flexible and compact design, the presence of the Dock Stufr does not impede the loading process.

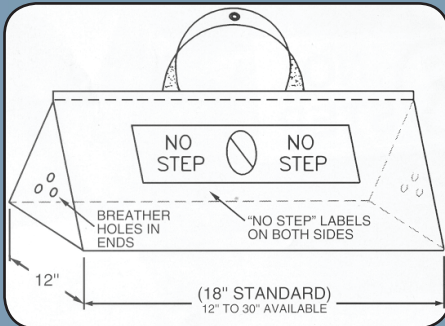


Figure 2: Dock Stufr dimensions



Figure 3: 18" standard size

Design Highlights

- Bright orange “NO STEP” safety labels placed on both sides for clear warning to dock workers
- Includes strap and attachment grommet for portability
- Can be attached to optional rope retention system mounted to inside of building
- Heavy duty coated fabric gives the product durability and long life
- This product carries a (1) year limited warranty with APS Resource

Technical Specifications

Purpose	Reduce energy loss by filling open corner gaps of docks during load times
Available Sizes	18" and 30" as standard
Construction Material	Chemical resistant, 22 oz. PVC-coated, polyester fabric Filled with recycled dock shelter and seal material

Project Information

Job Name _____
 Address _____
 General Contractor _____
 Distributor _____
 Model _____
 Quantity _____

Certified for Construction

By _____
 Company _____
 Address _____
 Date _____

