

High Impact LED Dock Light



Figure 1: High Impact LED Light



Figure 2: High Impact LED Dock Light with Flexible Spring Arm

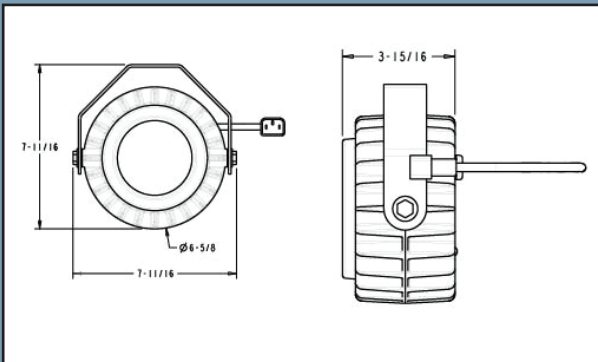


Figure 3: High Impact LED dimensions

Design Highlights

- Rugged, compact design for the most demanding applications
- Meets requirements for food and pharmaceutical facilities
- Convenient recessed ON/OFF switch
- This product carries a (3) year limited warranty with APS Resource

Technical Specifications

Output	915 Lumens
Power	18 Watts
Input	100-240 VAC, 50/60 Hz
Location	Rated for Wet locations, IP66, NEMA 4
Construction	Standard 17" cord with IEC60320-C14 plug
Life	60,000 hours
Certifications	UL and cUL listed, CE certified, RoHs compliant

Project Information

Job Name _____
 Address _____
 General Contractor _____
 Distributor _____
 Model _____
 Quantity _____

Certified for Construction

By _____
 Company _____
 Address _____
 Date _____

