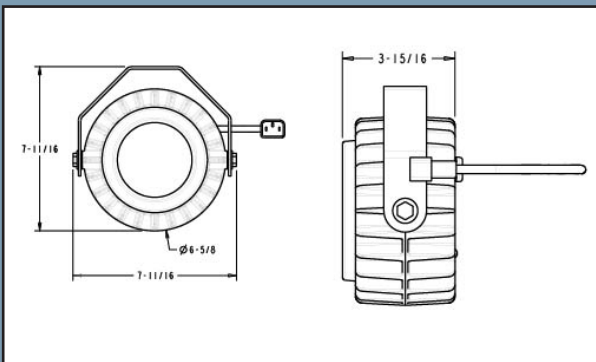


# High Impact LED Dock Light



High Impact LED Dock Light  
with Flexible Spring Arm

## High Impact LED™ Dimensions



## Design Highlights

- Rugged, compact design for the most demanding applications
- Meets requirements for food and pharmaceutical facilities
- Convenient recessed ON/OFF switch
- This product carries a (3) year limited warranty with APS Resource

## Technical Specifications

Output	915 Lumens
Power	18 Watts
Input	100-240 VAC, 50/60 Hz
Location	Rated for Wet Locations, IP66, NEMA 4
Construction	Standard 17" cord with IEC60320-C14 plug
Life	60,000 hours
Certifications	UL and cUL listed, CE certified, RoHs compliant

### Project Information

Job Name \_\_\_\_\_  
 Address \_\_\_\_\_  
 General Contractor \_\_\_\_\_  
 Distributor \_\_\_\_\_  
 Model \_\_\_\_\_  
 Quantity \_\_\_\_\_

### Certified for Construction

By \_\_\_\_\_  
 Company \_\_\_\_\_  
 Address \_\_\_\_\_  
 Date \_\_\_\_\_

