

Steel Column Protectors



Figure 1: Steel Column Protector

Protects I-Beams from forklifts and other equipment. The heavy-duty steel construction completely surrounds I-Beams and absorbs impact. Safety yellow finish is epoxy-based, heat-cured and has a powder coating that's designed to prolong life and durability.

Design Highlights

- Powder-coated safety yellow for durability and high visibility
- Complete with concrete and assembly hardware
- This product carries a (1) year limited warranty with APS Resource

Technical Specifications

Available Sizes	For 8"-10" I-Beams, 42" high, 80 lbs
	For 12"-14" I-beams, 42" high, 150 lbs
Construction Material	Heavy-duty steel

Project Information

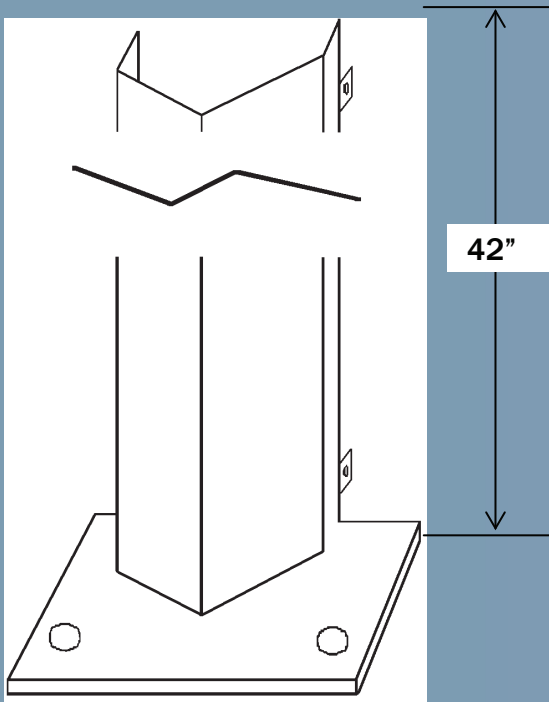
Job Name _____
 Address _____
 General Contractor _____
 Distributor _____
 Model _____
 Quantity _____

Certified for Construction

By _____
 Company _____
 Address _____
 Date _____



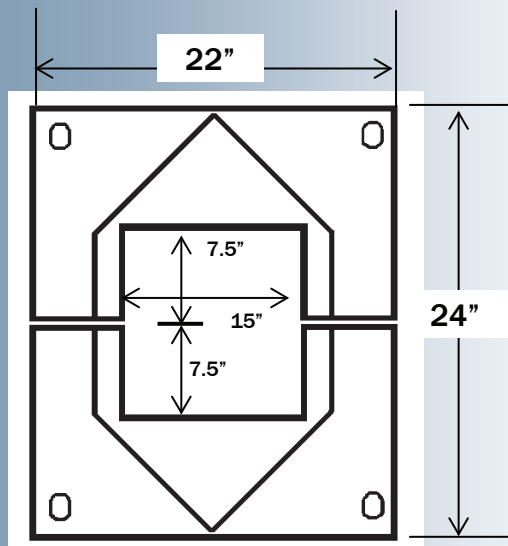
Steel Column Protectors



Elevation / Isometric View

Material = ASTM A-36 hot-rolled steel
Upright = 7 gauge, 3/16" thick
Base plate = 1/2" thick
Anchors = 5/8" x 4/75" (included) for 3/4" diameter hole

Available in two sizes - Large size shown



Plan View