

Work Safe Gate™



Figure 1: Work Safe Gate

The Work Safe Gate™ by APS Resource provides excellent visual protection for personnel. The yellow and black design provides high visibility. This easy to operate gate can be raised effortlessly for complete access of the loading dock.

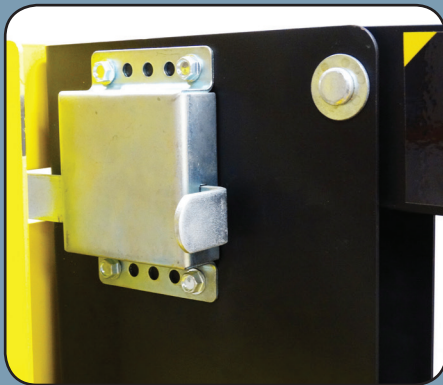


Figure 2: Easy to operate gate latch



Figure 3: Gas spring for easy open and close

Design Highlights

- High-visibility yellow with powder-coated columns and safety striping on the rails
- Effective barrier for protecting personnel working in a hazardous area
- Easy manual operation; no electrical requirement
- Approximate weight is 135 lbs
- (8) 3/8" x (3) 3/4" anchors
- Safety latch mechanism securely keeps gate closed. Can be locked out with padlock
- This product carries a (1) year limited warranty with APS Resource

Technical Specifications

Operation	Manual; heavy-duty gas spring allows for easy lift
Available Sizes	6', 7', 8', 9', 10' door capabilities
Security	Safety latch and padlock capabilities
Industry Standards	42" top rail meets OSHA standard for withstanding 200 lbs of force from any direction
Construction Material	Welded steel columns Aluminum top and bottom rail

Project Information	Job Name _____
	Address _____
	General Contractor _____
	Distributor _____
	Model _____
Certified for Construction	Quantity _____
	By _____
	Company _____
	Address _____
	Date _____

Work Safe Gate™

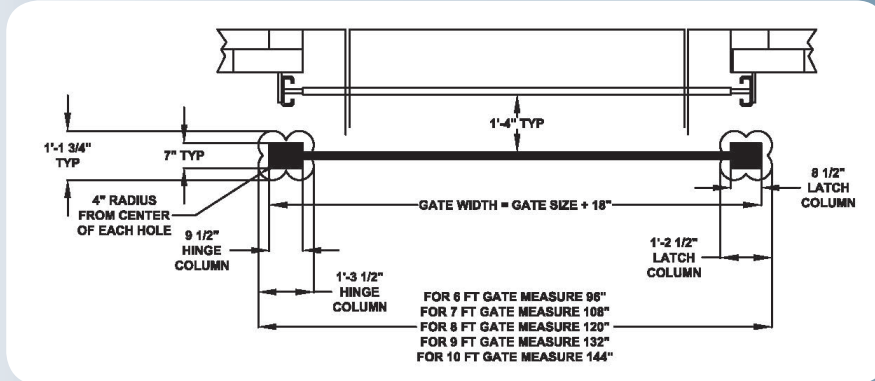


Figure 4: Gate layout (top view)

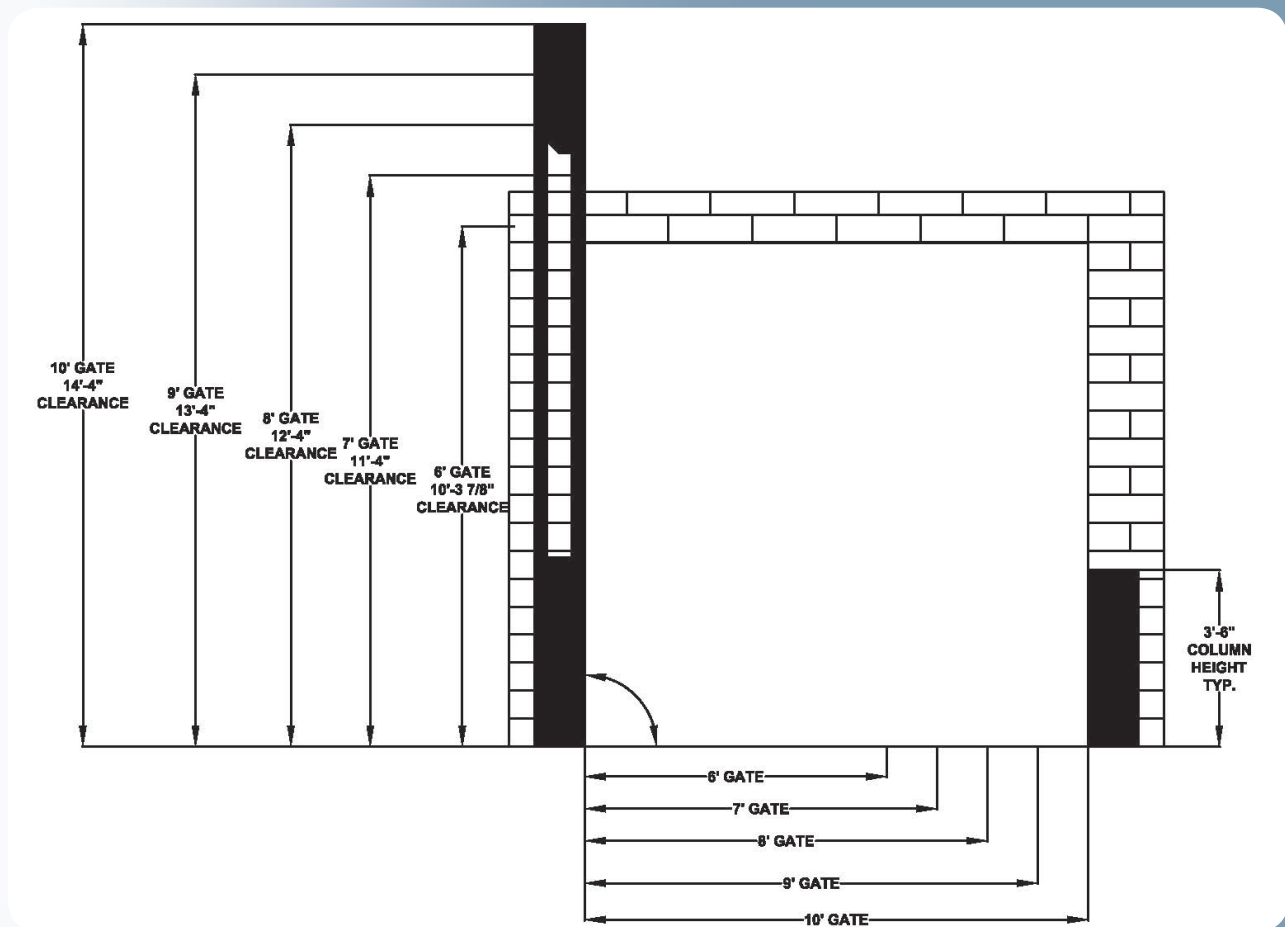


Figure 5: Vertical clearance requirements