

Z-Guard



Figure 1: Z-Guard positioned over door tracks

Z-Guard is a cost-effective solution to protect your overhead door tracks from costly repairs. This protective solution wraps a layer of steel around the door track and mounts easily to the adjacent wall. The low-profile design protects the door track without interference to the door operation.

Standard-Duty		Heavy-Duty	
P/N	Height	P/N	Height
ZG24SD	24"	ZG24HD	24"
ZG30SD*	30"	ZG30HD	30"
ZG36SD	36"	ZG36HD	36"
ZG42SD	42"	ZG42HD	42"
ZG48SD*	48"	ZG48HD	48"

*Stock size

Design Highlights

- Powder-coated safety yellow for high-visibility and lasting durability
- Upright mounting holes for 1/2" hardware (not included)
- Sold in pairs; right-hand and left-hand specific mounting
- This product carries a (1) year limited warranty with APS Resource

Technical Specifications

Available Sizes	3/16" (standard-duty) or 1/4" (heavy-duty) steel
	Custom sizes available, use AP7172A Survey, Z-Guard
	Various heights
Installation	Installation instructions provided, use AP7282A Install Instructions, Z-Guard
Construction Material	Heavy-duty welded steel

Project Information

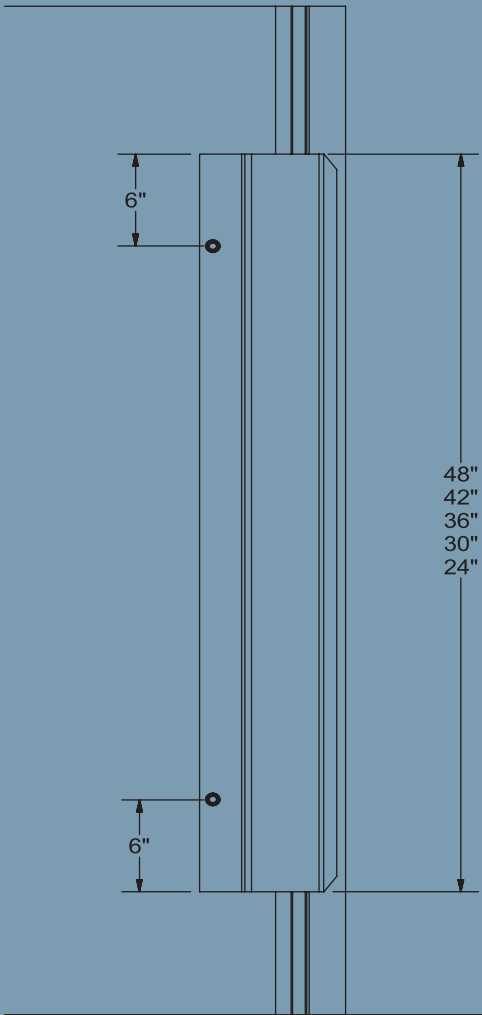
Job Name _____
 Address _____
 General Contractor _____
 Distributor _____
 Model _____
 Quantity _____

Certified for Construction

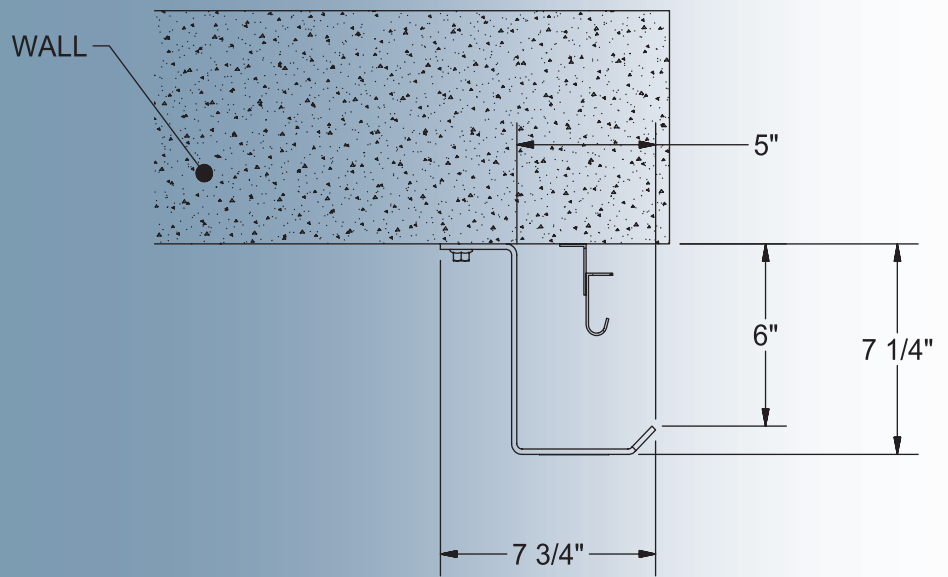
By _____
 Company _____
 Address _____
 Date _____



Z-Guard



FRONT VIEW



PLAN VIEW

